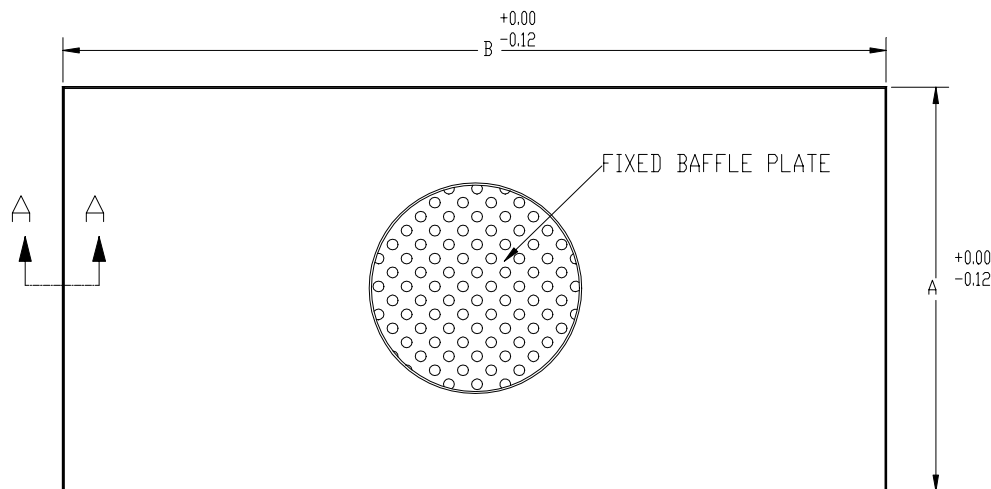
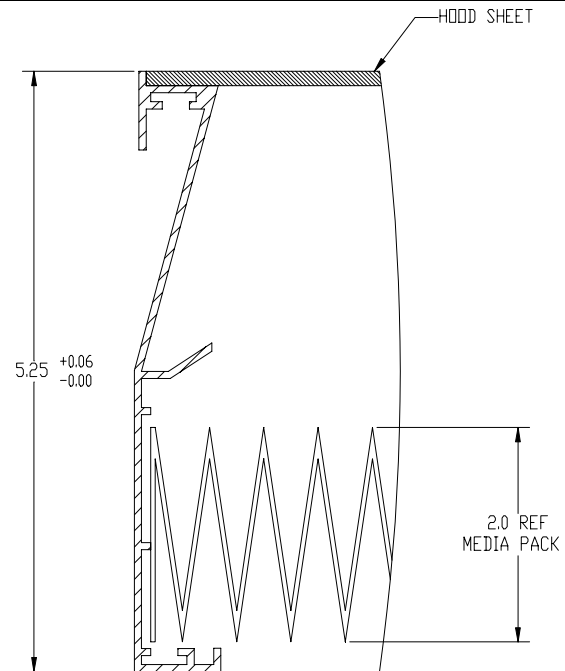


SIDE VIEW




TOP VIEW



SECTION A-A

Characteristics	Cleanroom Filter DTM-12
Filter Media	Micro-Glass Fiber.
Pleat Separator	Continuous String or Hot Melt Glue.
Frame Material	Extruded Aluminum.
Sealant Material	Polyurethane.
Downstream Screen	Expanded Metal, White Powdered Coated.
Pleat Depth	2"
Efficiency HEPA	99.99% min. on 0.3 micron particulate at rated flow
Efficiency ULPA	99.9995% min. on 0.1 - 0.2 micron particulate at rated flow
Nominal Size	(Exact Size) - (3/8")

P/N	A	B	Collar, C	Efficiency
41298	23-5/8	23-5/8	10"	99.99%
41299	23-5/8	23-5/8	12"	99.99%
41300	23-5/8	47-5/8	10"	99.99%
41301	23-5/8	47-5/8	12"	99.99%
41311	23-5/8	23-5/8	10"	99.9995%
41312	23-5/8	23-5/8	12"	99.9995%
41313	23-5/8	47-5/8	10"	99.9995%
41314	23-5/8	47-5/8	12"	99.9995%

				<b>Filtration Group, Inc.</b> <b>971A Industrial Dr.</b> <b>Aurora, IL 60506</b>			
						<b>Cleanroom Filter</b> <b>DTM-12</b>	
DR:	ARZ	Date:	11/5/2003	Drawing Number:	<b>SD-DTM-12</b>		
CK:		Date:					

YOUR APPROVAL OF THIS PRINT AUTHORIZES FILTRATION GROUP, INC. TO PROCEED WITH MATERIAL PROCUREMENT, TOOLING AND PRODUCT FABRICATION. ANY CHANGES MADE AFTER APPROVAL MAY INCUR FURTHER EXPENSES TO THE CUSTOMER.