

Nominal Size	MERV 11 Part Number	MERV 13 Part Number	MERV 14 Part Number
24x12x4	21605	21613	21621
20x20x4	21606	21614	21622
24x20x4	21607	21615	21623
24x24x4	21608	21616	21624
20x16x4	21609	21617	21625
25x16x4	21610	21618	21626
24x18x4	21611	21619	21627
25x20x4	21612	21620	21628

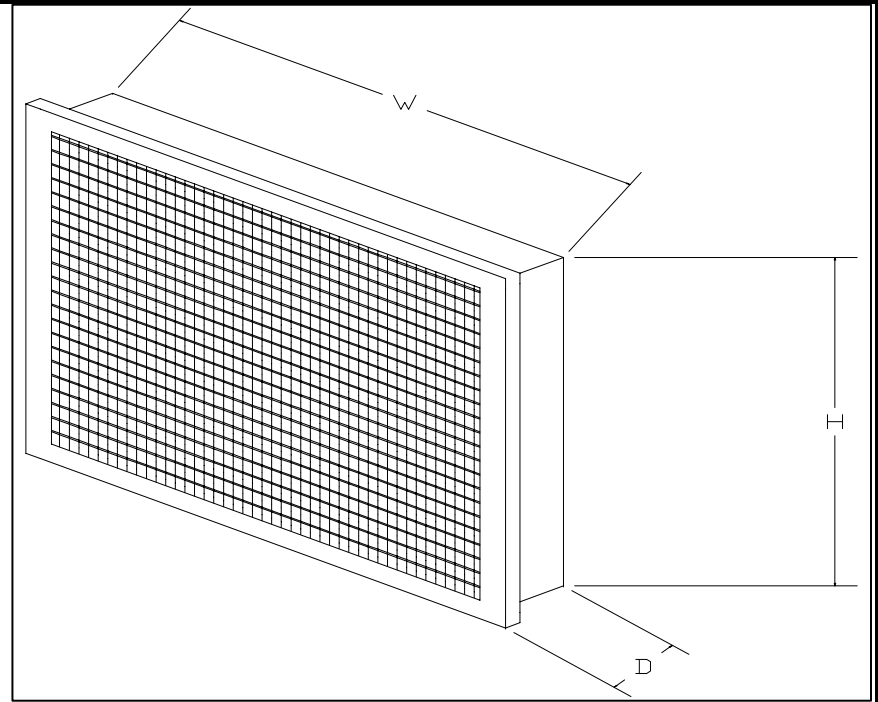
Initial Resistance (in. W.C.)			
Air Flow	MERV 11	MERV 13	MERV 14
250	0.12	0.22	0.24
375	0.2	0.34	0.36
500	0.3	0.49	0.51
675	0.42	0.66	0.68

Characteristics	GeoPleat Filter
Face Dim.	Exact Face Dimension is Nominal Minus 5/8" (Example nom. 24" = Exact 23-3/8")
Filter Depth	Actual Depth of Filter is 3-3/4"
Header Dim	Header is 3/4" deep x 3/4" tall.
Media	100% Synthetic Polypropylene
Frame	High Impact Polystyrene
Separators	Embossed Media With Foamed Hot Melt Separators
Pack Adhesive	Water Based Glue
Max. Temperature	150°F (65°C).
Max. Humidity	100% Relative Humidity.
Flammability	UL900 Class 2
Special Features	Patented filter technology using advanced pleat geometry for maximum service life
LEEDS	MERV 13 Qualifies to Obtain LEEDS Points

For Sales Only

Customer Information: _____

Item Number: _____



For Non-Standard Sizes, Please Consult the Factory.

_____ (H) X _____ (W) X _____ (D)

Please Specify Size as Nominal or Exact _____

Customer Initial and Date for Non-Standard Size _____


Filtration Group, Inc.
912 East Washington Street
Joliet, Illinois 60433

AEROSTAR

GEOPLEAT - HEADER STYLE

YOUR APPROVAL OF THIS PRINT AUTHORIZES FILTRATION GROUP, INC. TO PROCEED WITH MATERIAL PROCUREMENT, TOOLING AND PRODUCT FABRICATION. ANY CHANGES MADE AFTER APPROVAL MAY INCUR FURTHER EXPENSES TO THE CUSTOMER

DR:	MC	Date:	8/13/2008	Drawing Number:	SD-GEO-HDR	Revision:	A
CK:	MC	Date:	8/13/2008				