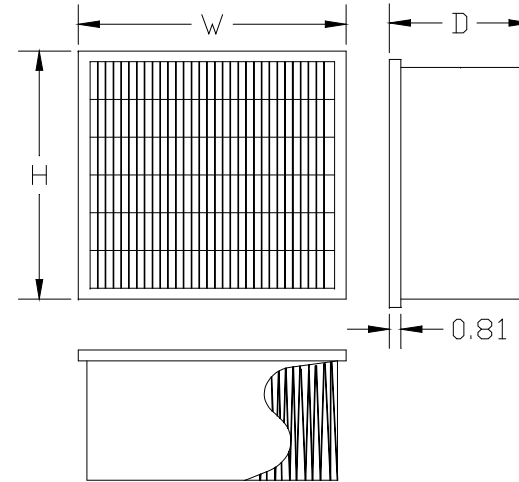


Aerostar HEGA Filters - Series 3000

	Single Header			
Nominal Dimensions	24x24x12	24x20x12	20x20x12	24x12x12
Height, H (inches)	23.38	23.38	19.38	23.38
Width, W (inches)	23.38	19.38	19.38	11.38
Depth, D (inches)	11.50			
Media Area (sq ft)	108	89	72	48
Pressure Drop ("WG)	0.40			
at Flow Rate (cfm)	2000	1667	1389	1000
Carbon Weight (pounds)	11.0	9.1	7.4	4.9

Media Selection	24x24x12	24x20x12	20x20x12	24x12x12
147: Amonia / Amines	15024	15025	TBD	15026
651: Diesel Exhaust	19321	76612	305161	19319
653: VOC's / Ozone	17982	17983	300332	17984
875: Acid Gas	17083	17414	323231	TBD

Frame Material: Injection-molded High Impact Polystyrene (HIPS)
Adhesive: Media bonded with a durable, flexible, low off-gassing sealant
Temperature: 120 F Continuous / 130 F Intermittent
Installation: Install with pleats vertical when possible
 Install 10' from heat source
Naming: Series 3651 = Series 3000 with 651 Media
Note: Other sizes available



Filtration Group
 912 E. Washington Street
 Joliet, Illinois 60433
 815-726-4600

TOLERANCES UNLESS
 OTHERWISE SPECIFIED:
 .XXX = ± 0.005
 .XX = ± 0.015
 ANGLES = ± 1/2 DEGREE
 REMOVE ALL SHARP EDGES

Drawn	Date	Description:
MCM	10/8/2010	Aerostar HEGA Filters
Approved		Series 3000
PJW	10/7/2010	
		Drawing no. Rev.
Sheet	1 of 1	SD-HEGA-SR3000-HDR C