

GAS TURBINE CANISTER PRE-FILTER WRAP FILTERS



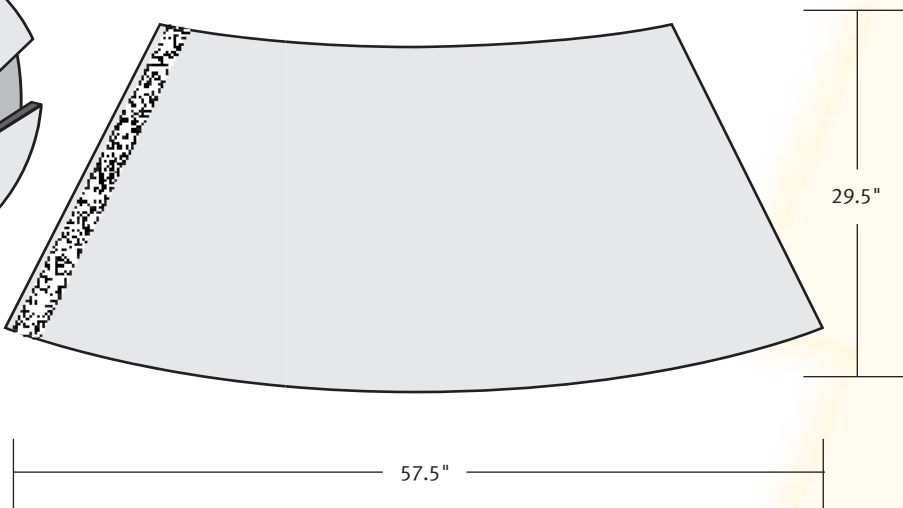
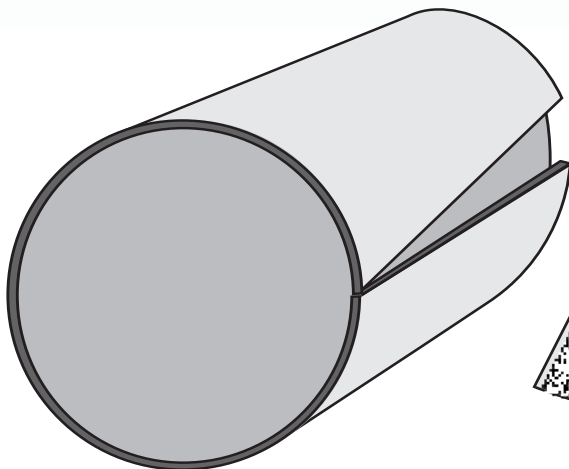
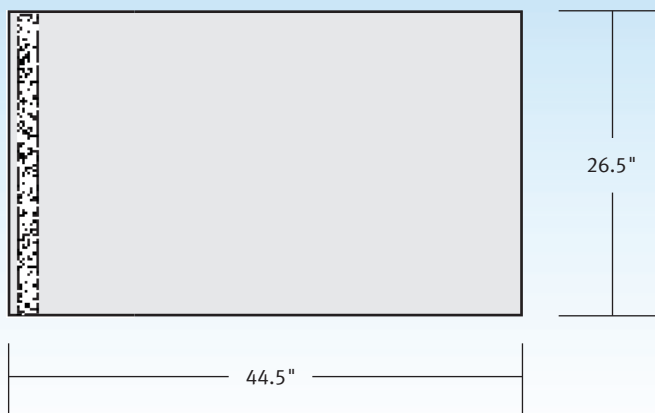
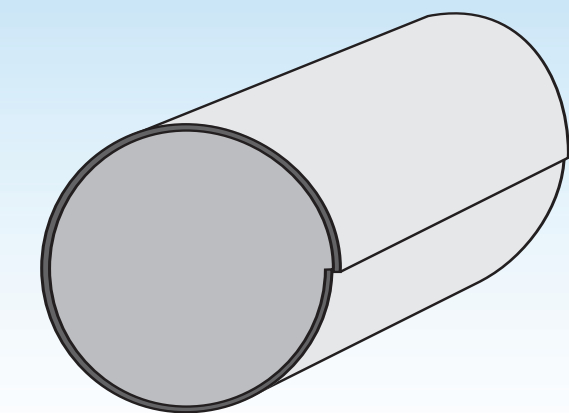
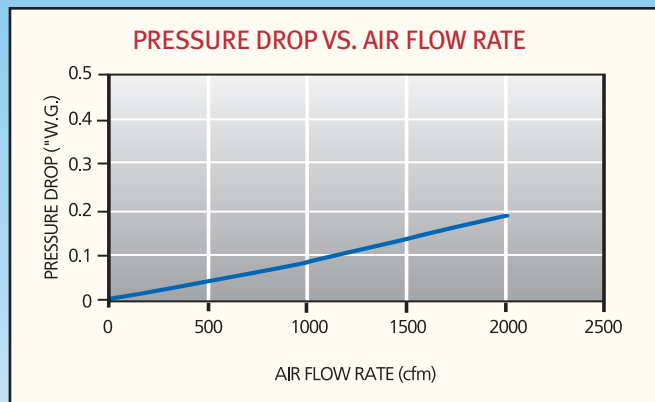
- ▶ **The Filtrair VL-TN Media** is an ideal pre-filter for higher efficiency canister filters during seasonal increases in dust concentration, such as fibers, seeds and other large particulate.
- ▶ **The 3/4" Thick Lofted Polyester Media** is manufactured with a gradient density, promoting depth loading of the particulate and maximizing the dust holding capacity.
- ▶ **Tackification Applied to the Media** prohibits particle migration to the downstream side.
- ▶ **Velcro Attached to the End of the Media** allows for easy closure around the canisters.
- ▶ **Filter Wrap Material is Available** in a variety of sizes to fit both cylindrical and conical canisters.
- ▶ **100% Polyester Media** operates unaffected by moisture and adds minimal pressure drop to the system.



GAS TURBINE CANISTER PRE-FILTER WRAP FILTERS

TECHNICAL SPECIFICATIONS

	Unit	PFW-26
Air Flow Rate	CFM	1200
Initial Resistance	WG	0.08
Final Resistance	WG	1.00
ASHRAE Dust Weight Arrestance	%	91.11
ASHRAE Dust Holding Capacity (ASHRAE Dust)	grams	141
Nominal Thickness	inches	0.5



DISTRIBUTED BY

© FGI 12/05

Phone: 877-FGI-TEAM (344-8326)
Fax: 800-518-1162