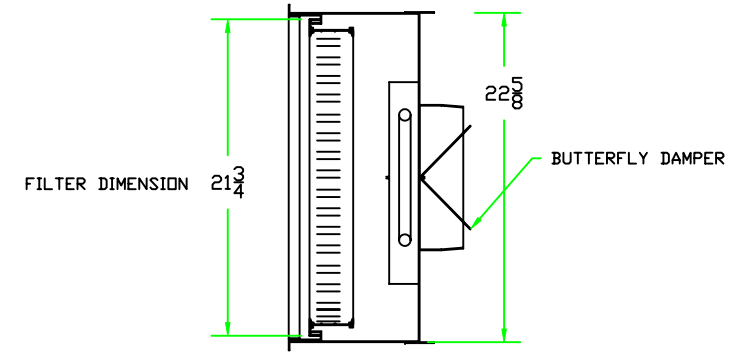
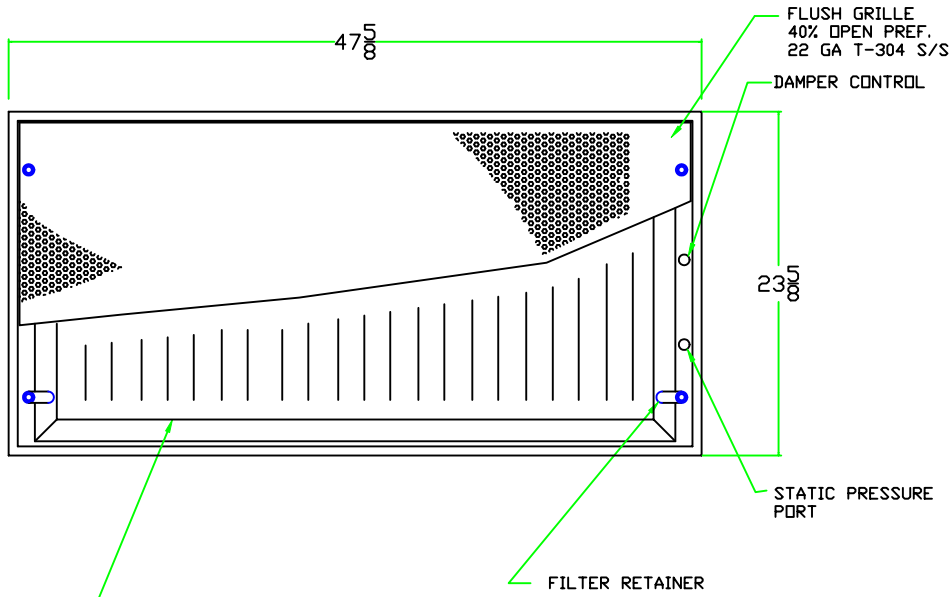
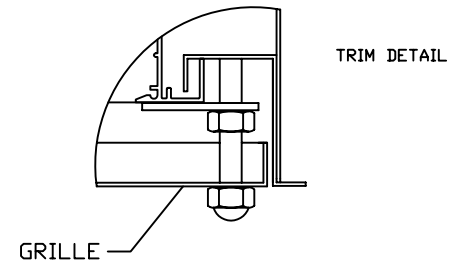
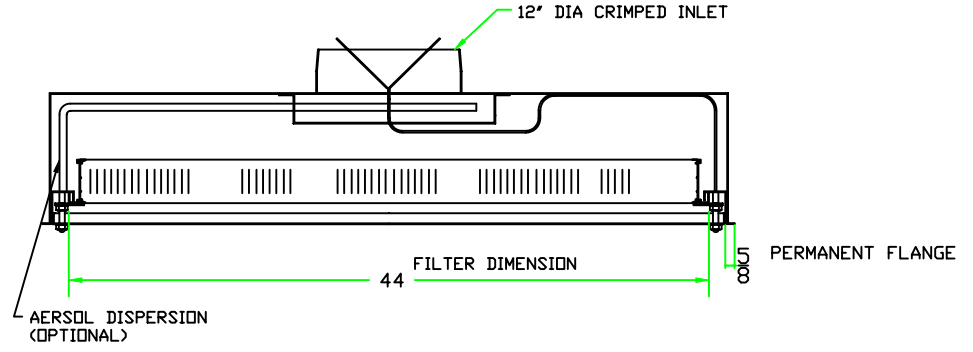


REV	ZONE	REVISION DESCRIPTION	APPROVAL / DATE

SPECIFICATIONS


1. CONSTRUCTION: THE HOOD SHALL BE CONSTRUCTED OF .063 ALUMINUM. ALL STRAIGHT SEAMS OF THE PLENUM SHALL BE CONTINUOUSLY WELDED. ALL OTHER JOINT SHALL BE INTERMITTENTLY WELDED AND SEALED WITH RTV SEALANT.



BOTTOM VIEW

END VIEW

CENTER OF KNIFE EDGE 21 X 43 1/4

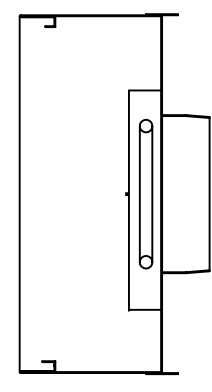
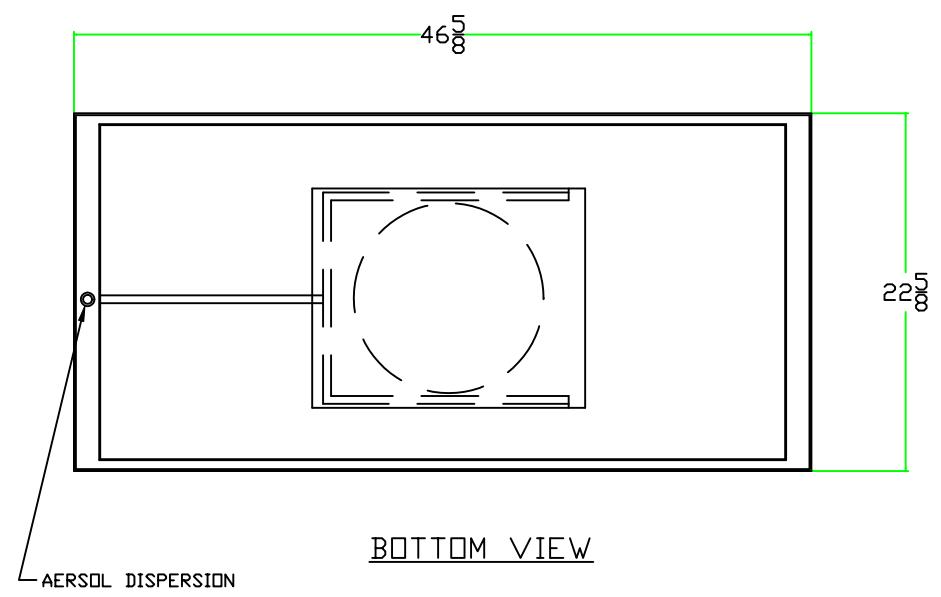
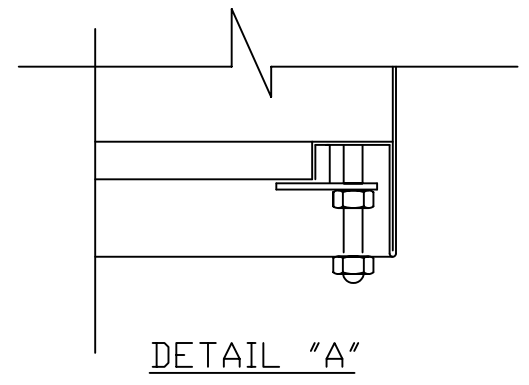
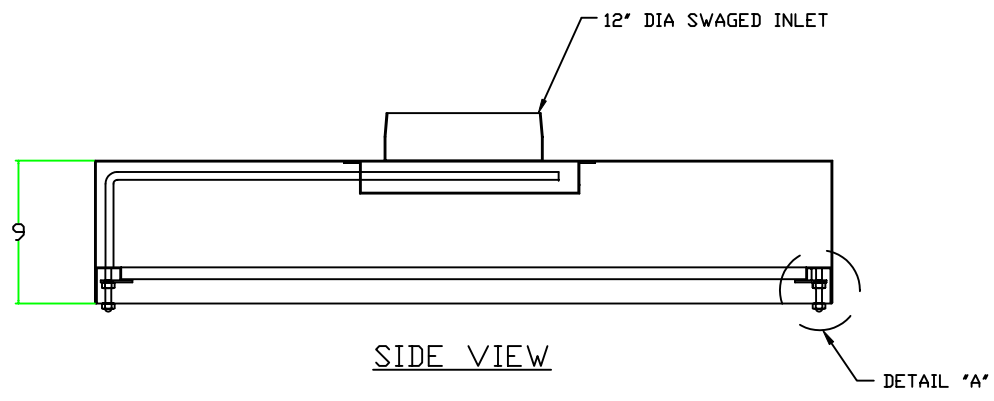
APPROVALS	DATE	 FILTRATION GROUP 971A INDUSTRIAL DR. AURORA, IL 60506 630-264-2800
DRAWN	A. ZELKO 12-18-02	
APPROVED	R. COTNER 12-18-02	
DESCRIPTION		PHARMA HOOD 24X48 - SS TRIM
DWG NO		41309
REV	00	SHEET 1 OF 2

REFERENCE


© This document and the information contained herein is proprietary and may not be reproduced or used for any purpose without the expressed written permission of FILTRATION GROUP INC.

TOLERANCES UNLESS OTHERWISE SPECIFIED:
 .XXX = ±.005
 .XX = ±.03
 ANGLES ±1/2°
 REMOVE ALL SHARP EDGES

REV	ZONE	REVISION DESCRIPTION	APPROVAL / DATE



FILTER AND 1 1/4 S/S TRIM NOT SHOWN

APPROVALS	DATE	 FILTRATION GROUP 971A INDUSTRIAL DRIVE AURORA, IL 60506 630-264-2800
DRAWN A. ZELKO	12-10-02	
APPROVED R. COTNER	12-10-02	DESCRIPTION
		THERMA HOOD 24X48 - SS TRIM
		DWG NO 41309
		REV 00 SHEET 2 OF 2

REFERENCE

© This document and the information contained herein is proprietary and may not be reproduced or used for any purpose without the expressed written permission of FILTRATION GROUP INC.

TOLERANCES UNLESS OTHERWISE SPECIFIED:
 .XXX = ±.005
 .XX = ±.03
 ANGLES ±1/2°
 REMOVE ALL SHARP EDGES