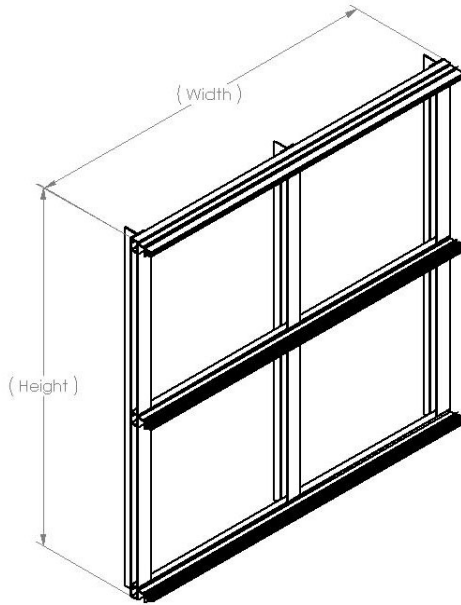




# SEAL TRACK QUOTE/SUBMITTAL

Date \_\_\_\_\_ Customer: \_\_\_\_\_ Quote No. \_\_\_\_\_



**Material**  
Extruded Anodized Aluminum

<b>Size</b> (check height and width box)	<b>Height</b>	<b>Dimension</b>	<b>Width</b>	<b>Dimension</b>
<input type="checkbox"/> 1 H		25.94	<input type="checkbox"/> 1 H	38.50
<input type="checkbox"/> 1 ½ H		38.25	<input type="checkbox"/> 1 ½ H	38.50
<input type="checkbox"/> 2 H		50.25	<input type="checkbox"/> 2 H	50.50
<input type="checkbox"/> 2 ½ H		62.56	<input type="checkbox"/> 2 ½ H	62.75
<input type="checkbox"/> 3 H		74.56	<input type="checkbox"/> 3 H	74.75
<input type="checkbox"/> 3 ½ H		86.87	<input type="checkbox"/> 3 ½ H	87.00
<input type="checkbox"/> 4 H		98.87	<input type="checkbox"/> 4 H	98.00
			<input type="checkbox"/> 4 ½ H	111.25
			<input type="checkbox"/> 5 H	123.25
			<input type="checkbox"/> 5 ½ H	135.5
			<input type="checkbox"/> 6 H	147.5

**Special Size** Height \_\_\_\_\_ Width \_\_\_\_\_

Other \_\_\_\_\_  
\_\_\_\_\_