

4

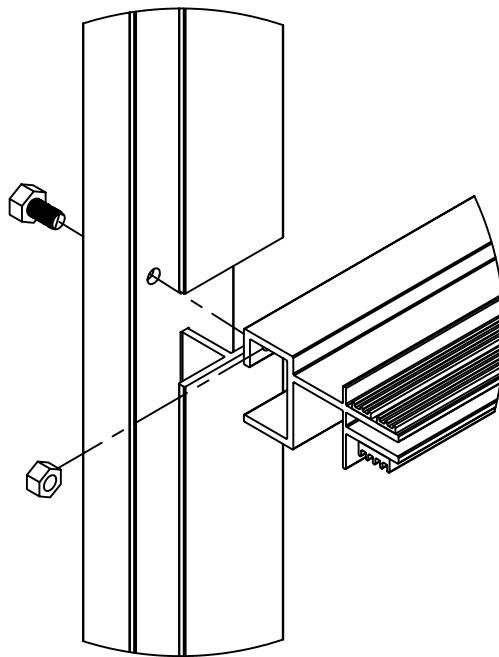
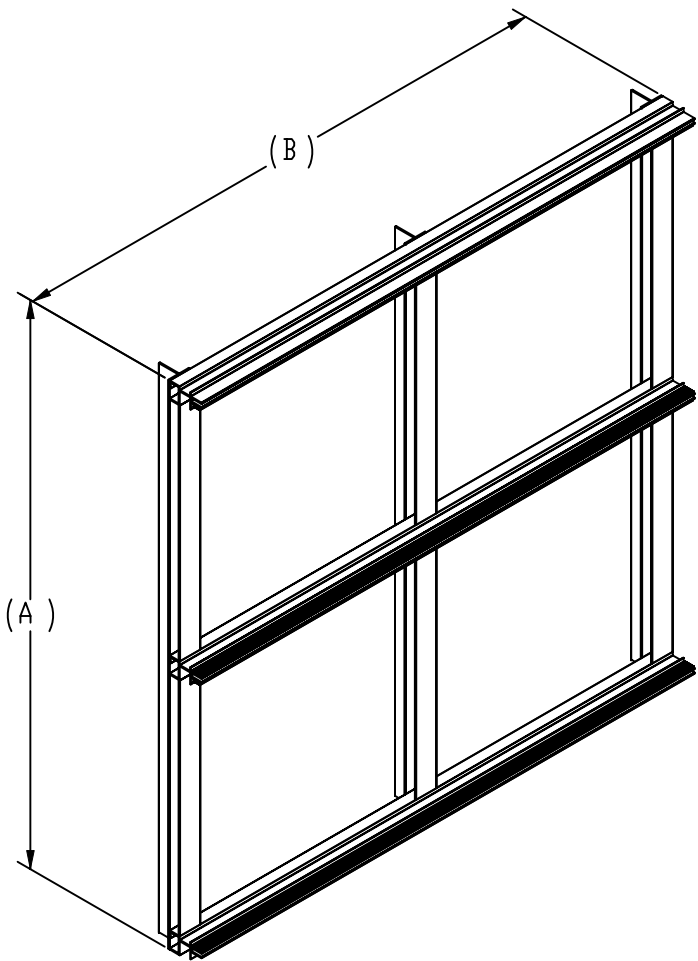
3

2

1

SPECIFICATIONS:

Filter-framing module shall be constructed in anodized extruded aluminum to prevent corrosion. For larger configurations vertical supports shall be used to add strength. The modules shall be pre-cut to size and pre-punched for easy assemble in the field. It shall be capable of accepting filters without the use of holding frames or clips. The pre-filter track shall be separated to allow removal and insertion of pre-filters without disturbing the final filters. Each row of filters shall have a sealing device incorporated in the framing module allowing for the gasketed sides of the filters to be pressed together and thereby achieving a positive seal. The gasket shall be oil and moisture resistant high density PVC foam gasket.



HEIGHT	DIMENSION "A"
10	25.94"
15	38.25"
20	50.25"
25	62.56"
30	74.56"
35	86.87"
40	98.87"
45	111.18"
50	123.18"
55	135.50"
60	147.50"

HEIGHT	DIMENSION "B"
15	38.50"
20	50.50"
25	62.75"
30	74.75"
35	87.00"
40	99.00"
45	111.25"
50	123.25"
55	135.5"
60	147.50"
65	159.75"
70	171.75"

NOTES:
THE SEAL TRACK HOUSING

THE DEVICE DEPICTED AND DESCRIBED HEREON EMBODIES PROPRIETARY INFORMATION OWNED BY FILTRATION GROUP INC. ALL DESIGN, MANUFACTURING, REPRODUCTION, SALES, AND PATENT RIGHTS REGARDING THIS DEVICE OR DRAWING ARE RESERVED EXCEPT WHERE EXPLICIT RIGHT IS GRANTED IN WRITING.		UNLESS OTHERWISE SPECIFIED • ALL DIMENSIONS ARE IN INCHES • REMOVE ALL BURRS AND SHARP EDGES • TOLERANCES: .XXX ± .015 X/X ± 1/16 .XX ± .03 < ±.5		DO NOT SCALE DRAWING			
QTY	NEXT ASSY	USED ON	REV	EO NO.	E.O. DATE	BY	UPCAD DATE



FILTRATION GROUP
912 E Washington St. Ph (815) 726-4600
Joliet, IL 60433 Fax (815) 726-8912

TITLE	THE SEAL TRACK HOUSING
PART NO.	RELEASE E.O.
SCALE	NONE
DRAWING NO.	SHEET 1 OF 1

4

3

2

1