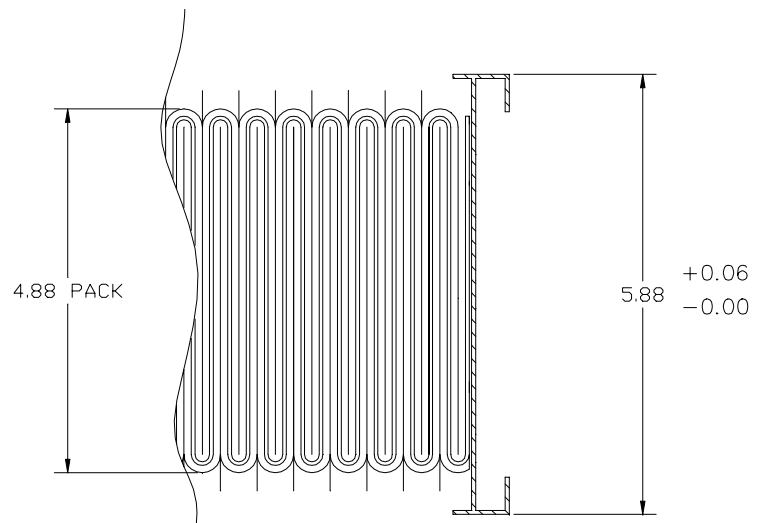


For Sales Only

Customer Information: _____

Item Number: _____



Available Options	Check If Desired
Upstream Gasket	<input type="checkbox"/>
Downstream Gasket	<input type="checkbox"/>
Both, Upstream and Downstream Gaskets	<input type="checkbox"/>
Specify HEPA or ULPA	<input type="checkbox"/>


Characteristics	Aerostar Aluminum Filter
Media Pack	Wet laid microfiber glass paper w/ aluminum separators
Frames	Extruded Aluminum
Gasket	Closed cell neoprene 1/4" x 3/4" wide, dovetailed corner connections
Efficiency HEPA	99.99% min. on 0.3 micron particulate at rated flow
Efficiency ULPA	99.9995% min. on 0.1 - 0.2 micron particulate at rated flow
Maximum Temperature	212 °F
Recommended Final Usage	2.0 inch w.g.
Flammability	UL 900 Class 1
Shipping	Palletized is recommended

For Non-Standard Sizes, Please Consult the Factory.

_____ (H) X _____ (W) X 5.88" (D)

Please Specify Size as Nominal or Exact _____

Customer Initial and Date for Non-Standard Size _____


Filtration Group, Inc.
971A Industrial Dr.
Aurora, IL 60506

Aluminum Filters			
Laminar Flow / Bio Safety			
DR:	ARZ	Date:	12/10/2003
CK:		Date:	
SD-ALU-6		00	

YOUR APPROVAL OF THIS PRINT AUTHORIZES FILTRATION GROUP, INC. TO PROCEED WITH MATERIAL PROCUREMENT, TOOLING AND PRODUCT FABRICATION. ANY CHANGES MADE AFTER APPROVAL MAY INCUR FURTHER EXPENSES TO THE CUSTOMER.