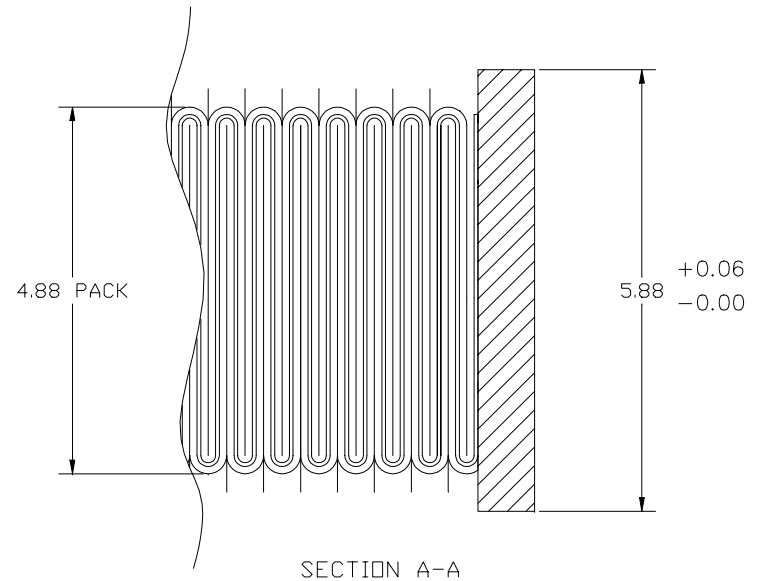


For Sales Only

Customer Information: _____

 Item Number: _____



Available Options	Check If Desired
Upstream Gasket	<input type="checkbox"/>
Downstream Gasket	<input type="checkbox"/>
Both, Upstream and Downstream Gaskets	<input type="checkbox"/>
Specify HEPA or ULPA	<input type="checkbox"/>

Characteristics	Aerostar Wood Frame Filter
Media Pack	Wet laid microfiber glass paper w/ aluminum separators
Frames	3/4" Particle Woodboard
Gasket	Closed cell neoprene 1/4" x 3/4" wide, dovetailed corner connections
Efficiency HEPA	99.99% min. on 0.3 micron particulate at rated flow
Efficiency ULPA	99.9995% min. on 0.1 - 0.2 micron particulate at rated flow
Maximum Temperature	212 °F
Recommended Final Usage	2.0 inch w.g.
Flammability	UL 900 Class 2 (Consult Factory for UL 900 Class 1)
Shipping	Palletized is recommended

For Non-Standard Sizes, Please Consult the Factory.

_____ (H) X _____ (W) X _____ 5.88" (D)

Please Specify Size as Nominal or Exact _____

Customer Initial and Date for Non-Standard Size _____


Filtration Group, Inc.
971A Industrial Dr.
Aurora, IL 60506

Wood Frame Filters

Laminar Flow / Bio Safety

YOUR APPROVAL OF THIS PRINT AUTHORIZES FILTRATION GROUP, INC. TO PROCEED WITH MATERIAL PROCUREMENT, TOOLING AND PRODUCT FABRICATION. ANY CHANGES MADE AFTER APPROVAL MAY INCUR FURTHER EXPENSES TO THE CUSTOMER.

DR:	ARZ	Date:	12/10/2003	Drawing Number:	SD-WB-6	Revision:	00
CK:		Date:					