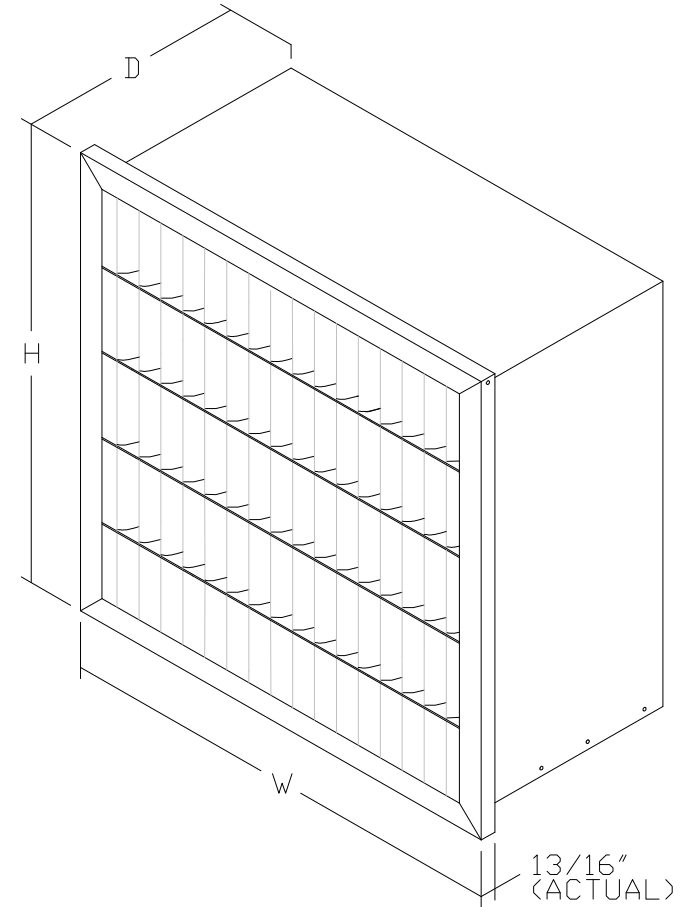


EFF.	Part Number	Nominal Size HxWxD	Media Area (ft ²)	Number of Pleats	Rated Air Flow			Initial Resistance		
					Low	Med	High	Low	Med	High
90-95%	16435	24x24x12	52	15	1000	1500	2000	.26	.38	.51
	16432	24x12x12	24	7	500	750	1000	.26	.38	.51
	16433	20x20x12	34	12	700	1050	1400	.26	.38	.51
80-85%	16443	24x24x12	52	15	1000	1500	2000	.19	.26	.34
	16440	24x12x12	24	7	500	750	1000	.19	.26	.34
	16441	20x20x12	34	12	700	1050	1400	.19	.26	.34
60-65%	16451	24x24x12	52	15	1000	1500	2000	.11	.15	.23
	16448	24x12x12	24	7	500	750	1000	.11	.15	.23
	16449	20x20x12	34	12	700	1050	1400	.11	.15	.23
40-45%	16459	24x24x12	52	15	1000	1500	2000	.11	.14	.17
	16456	24x12x12	24	7	500	750	1000	.11	.14	.17
	16457	20x20x12	34	12	700	1050	1400	.11	.14	.17

Characteristics	Aerostar Rigid Cell Header Style Filter
Laminated Media	Lofted Ultra Fine Synthetic Media with expanded metal backing.
Pleat Separators	Fire Retardant High Impact Polystyrene (40 AF), 4 upstream and 4 downstream (UL Class 2) Fire Retardant High Impact Polystyrene (ES 8720), 4 upstream and 4 downstream (UL Class 1)
Cross Braces	Galvanized Steel, 4 upstream and 4 downstream, attached to frame.
Header	24 Gauge MSB Galvanized Steel, one piece wrap-around design, upstream. Double header style available, please consult factory for available sizes.
Frame	26 Gauge Galvanized Steel, two piece design.
ASHRAE Efficiency	Efficiency is average and is based on ASHRAE Standard 52.1 dust spot testing methods.
Max. Temperature	180 °F (82 °C).
Max. Humidity	100% Relative Humidity.
Flammability	UL900 Classified as to flammability Class 1 or 2 (R12347).
Gasket	Upstream, Downstream, and Side Gaskets available. Please consult factory.
Height Tolerance	+0 and -1/8"
Width Tolerance	+0 and -1/8"
Depth Tolerance	± 1/16"
Actual Frame Size	Height and width less 5/8" of nominal size and 12" depth=11-3/8" and 6" depth=5-3/4".



For Non-Standard Sizes, Please Consult the Factory.

_____ (A) X _____ (H) X _____ (D)

Please Specify Size as Nominal or Exact _____

Customer Initial and Date for Non-Standard Size _____

 **Filtration Group, Inc.**
913 East Washington Street
Joliet, Illinois 60433

Aerostar
Synthetic Rigid Cell - Header Style

DR:	JMB	Date:	2/10/2004	Drawing Number:	SD-RC-HDR-SYN	Revision:	C
CK:		Date:	6/10/2008				

YOUR APPROVAL OF THIS PRINT AUTHORIZES FILTRATION GROUP, INC. TO PROCEED WITH MATERIAL PROCUREMENT, TOOLING AND PRODUCT FABRICATION. ANY CHANGES MADE AFTER APPROVAL MAY INCUR FURTHER EXPENSES TO THE CUSTOMER.