

Dimensions and Performance Data

Nominal Size HxWxD	Actual Dimensions HxWxD	Approximate Weight (lbs.)	Media Area (sq. ft.)
12 x 24 x 12	11 3/8 x 23 3/8 x 10 3/4	5.5	45
24 x 24 x 12	23 3/8 x 23 3/8 x 10 3/4	9.0	96

Options

Filter Efficiency (MERV 11, MERV 13 or MERV 14)	
1/4" Thick Neoprene Gasket (Upstream, Downstream, Side (specify side(s)))	
FP Glove (Type 1 (Downstream) or Type 2 (Upstream)) (Not available in all sizes, please consult factory)	

Specifications

Exact Size (Height and Width)	Nominal - 5/8"
Exact Size (Depth)	Nominal - 1 1/4"
Maximum Constant Temperature	150°F
Flammability	UL 900 Class 2
	UL 900 Class 1 (consult factory)
Media	Wet Laid Fiberglass
Relative Humidity*	100%
Recommended Final Pressure Drop	1.5" w.g.

*Not recommended for extended periods

Technical Data

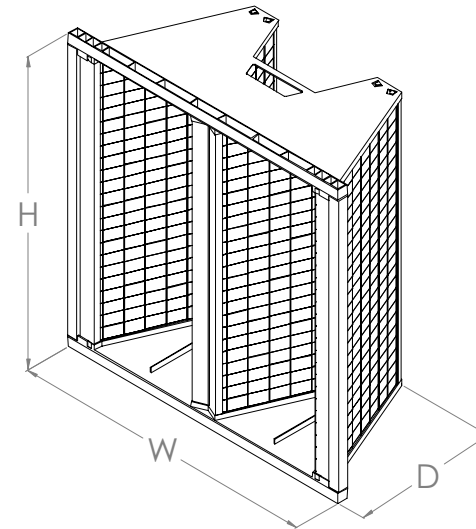
Titan FP 24 x 24 x 12	MERV 11			MERV 13			MERV 14		
Air Flow (CFM)	1500	2000	2500	1500	2000	2500	1500	2000	2500
Initial Pressure Drop (inch w.g.)	0.17	0.27	0.40	0.30	0.45	0.61	0.35	0.52	0.70
Comparable Atmospheric Efficiency (ASHRAE 52.1) @ 2000 CFM*	65%			85%			95%		

* Reference ASHRAE 52.2 - 1999 Table E1

For Sales Only

Customer Information: _____

Item Number: _____



For Non-Standard Sizes, Please Consult the Factory.

_____ (W) X _____ (H) X _____ 12 _____ (D)

Please Specify Size as Nominal or Exact _____

Customer Initial and Date for Non-Standard Size _____



Filtration Group, Inc.
912 East Washington Street
Joliet, Illinois 60433

Titan FP

Mini-Pleat Filters

DR:	ARZ	Date:	4/2/2003	Drawing Number:		Revision:	
Page:		1 of 1		SD-FP-TITAN		A	

YOUR APPROVAL OF THIS PRINT AUTHORIZES FILTRATION GROUP, INC. TO PROCEED WITH MATERIAL PROCUREMENT, TOOLING AND PRODUCT FABRICATION. ANY CHANGES MADE AFTER APPROVAL MAY INCUR FURTHER EXPENSES TO THE CUSTOMER.